



# **396-001270**

## **John Deere 1720 CCS**

### **PumpRight Mounting Bracket**

### **to Circular Plate**

**Planter Manufacturer: John Deere**

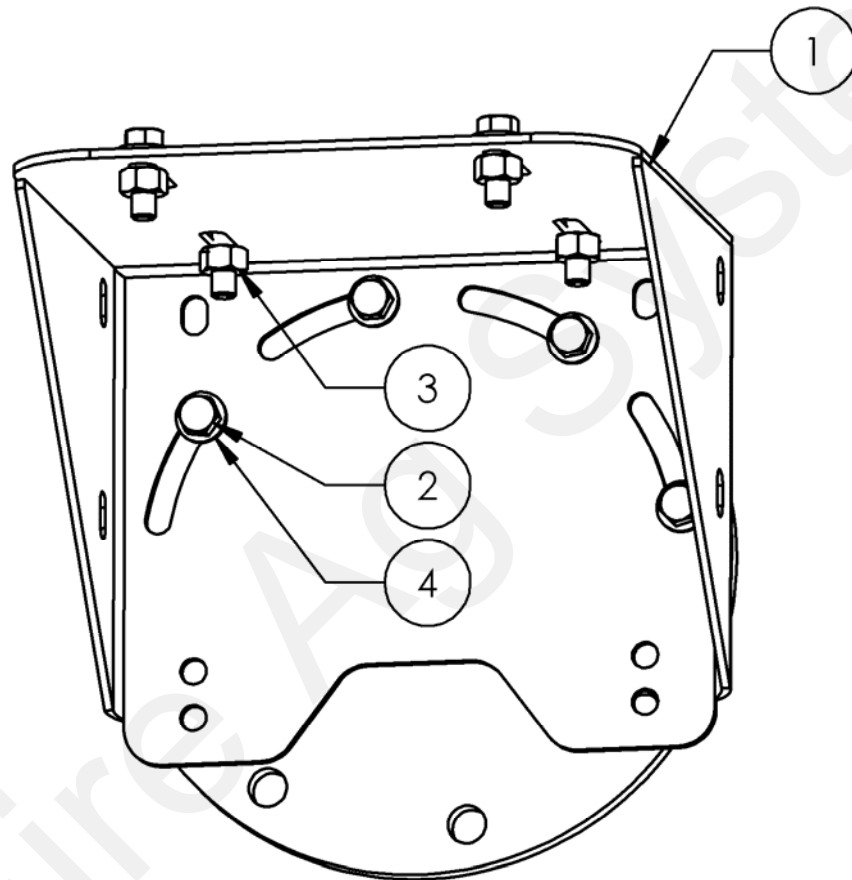
**Kit Number: 515-2010**





# Parts List and Exploded View

| ITEM NO. | PART NUMBER   | DESCRIPTION                                 | QTY. |
|----------|---------------|---|------|
| 1        | 400-1900A1-BK | John Deere 1720 CCS PumpRight Mount Bracket | 1    |
| 2        | 300-080108-5  | 1/2" x 1-1/2" Hex Head Bolt                 | 8    |
| 3        | 323-08        | 1/2" Flange Nut                             | 8    |
| 4        | 330-08        | 1/2" Flat Washer                            | 8    |





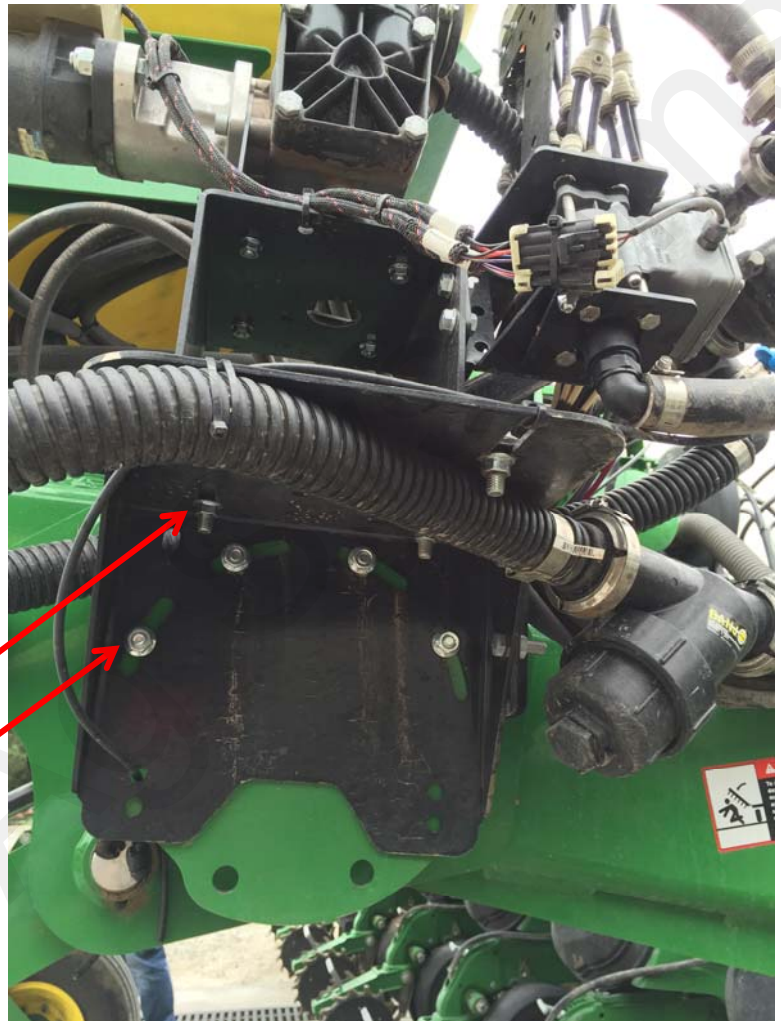
# Step by Step Instructions

1. Mount SureFire PumpRight Mounting bracket, part number 400-1900A1, to the circular plate on the outside of the CCS support frame on either side of the planter. Loosely attach with four (4) 1/2" x 1 1/2" hex head bolts.
2. Mount PumpRight to the support bracket using four (4) 1/2" x 1 1/2" bolts.
3. Inspect for clearance, level, and wrench tighten all bolts.

*Note: The arced slots allow the bracket to be tilted for near level operation in the field mounted on either side CCS frame.*

Step 2

Step 1





## ***Optional Items that may be suggested for this equipment .***

### **Flow Indicator Bracket**

SureFire Flow Indicators can be attached to CCS circular plate bracket by using a T-bracket (ordered separately).

1. Using two (2) 1/2" x 1-1/2" Hex Head Bolts and 1/2" flange nuts, attach flow indicator T-bracket to the front of the bracket so that flow indicators can be seen from the cab.
2. Check for clearance and wrench tighten all bolts and u-bolts.

