



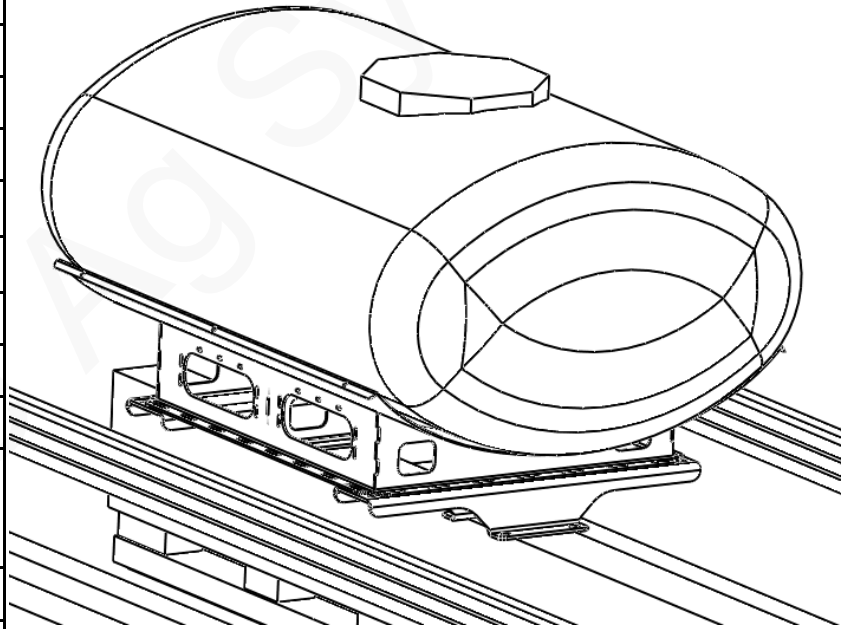
# 396-001580

## **John Deere DB Planter 500 Gallon Hitch Mount Tank Instructions**

**Planter Manufacturer: John Deere**

Kits Include	
Item	Quantity
Tank	1
Cradle	1
Stand (421-2132Y1-G)	2
3" Tank Strap Kit	3
3/4" U-Bolts	4
3/4" Flat Washer	8
3/4" Lock Washer	8
3/4" Nuts	8
5/8" x 1 1/2" Bolt	12
5/8" Flange Nut	12
Vacuum Gauge / Flow Indicator Bracket (400-1315A2-G, included in Green & Yellow Kit only)	1
1/2" U-Bolt (G & Y only)	1
1/2" Flange Nut (G & Y only)	2
1/4" HB Mender (G & Y only)	1
3/8" OD Poly Tubing (G & Y only)	15 ft

**Kit Item Numbers**  
**500 Gal Green & Yellow: 530-01-450500**



### **General Instructions:**

1. Position Support Stands at rear of planter hitch. Position in locations where U-bolts can be attached with reinforced DB lower hitch tube. Attach loosely with 3/4" U-bolts.
2. Place tank cradle on stands. 500 gallon tank cradle can be mounted with sump forward or rearward. Bolt loosely with 5/8" bolts.
3. Inspect for interference, then tighten bolts.
4. Mount vacuum gauge bracket in front of tank on hitch. Move vacuum gauge to new bracket and extend hose. (Optionally you can move hydraulic valve and switch. Details follow on separate page.)
5. Install tank and secure with tank straps.

## Vacuum Gauge Bracket, optional flow indicator mount

The CCS vacuum gauge must be moved so it can be seen with the tank installed.

1. Remove gauge from current mount (easiest before tank is installed)
2. Mount bracket to hitch with 1/2" U-Bolt (after mounting tank)
3. Extend vacuum hose to new gauge location using 1/4" hose mender and 3/8" OD poly tubing.
4. Mount vacuum gauge using existing hardware.
5. Optionally, you can move the switch and hydraulic valve also.
6. The same bracket can also be used to mount flow indicators.

Bracket also can be used to mount flow indicators. White backer plates optional for improved visibility.

White plate item numbers:

400-2010A1 Large (12 row)

400-2011A1 Small (6 row)

