



396-001690

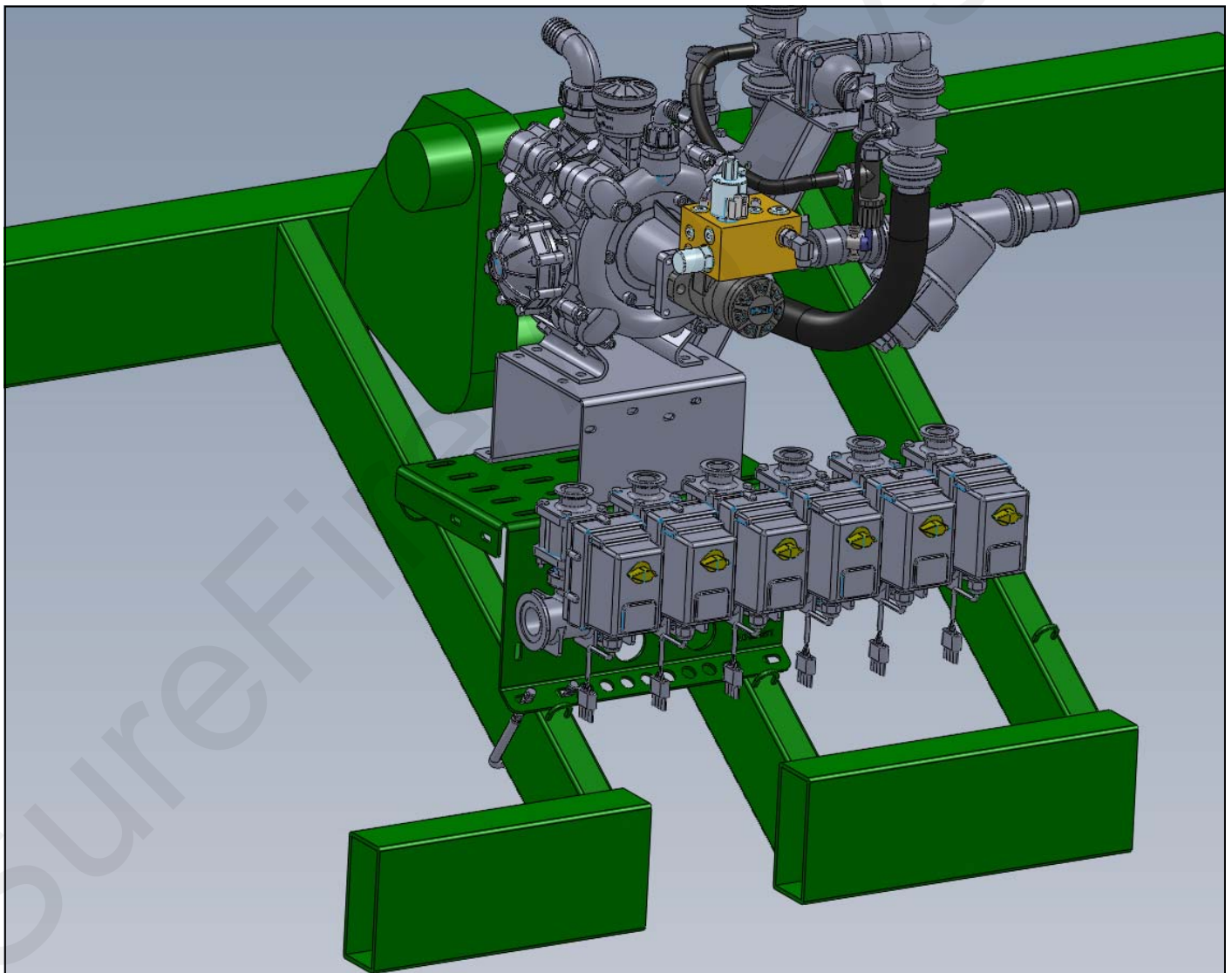
John Deere 1790 Planter PumpRight, Tower, Odyssey & Section Valve Mounting Bracket

Planter Manufacturer: John Deere 1790



JOHN DEERE

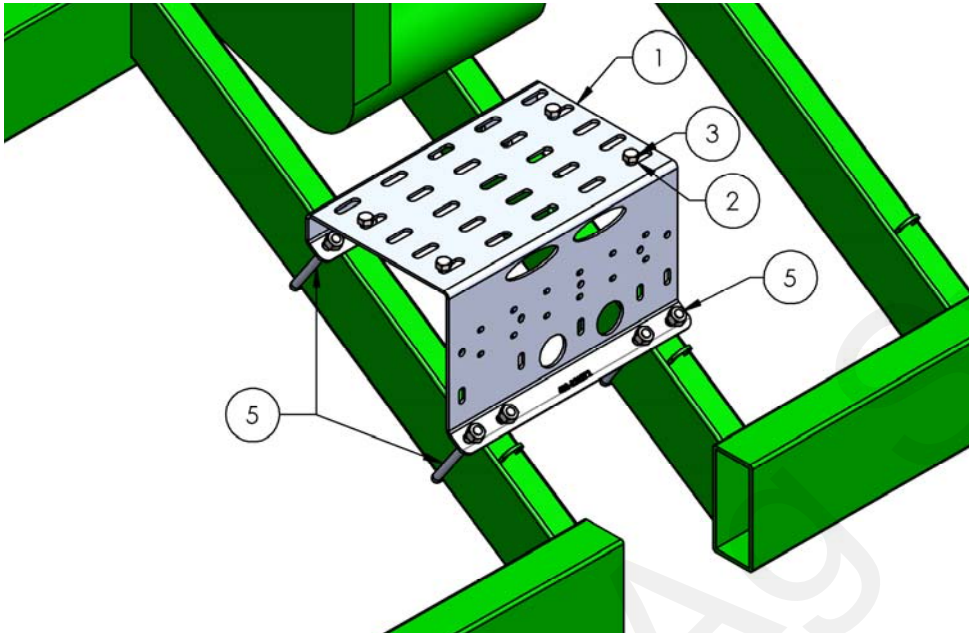
Kit Number: 515-200700



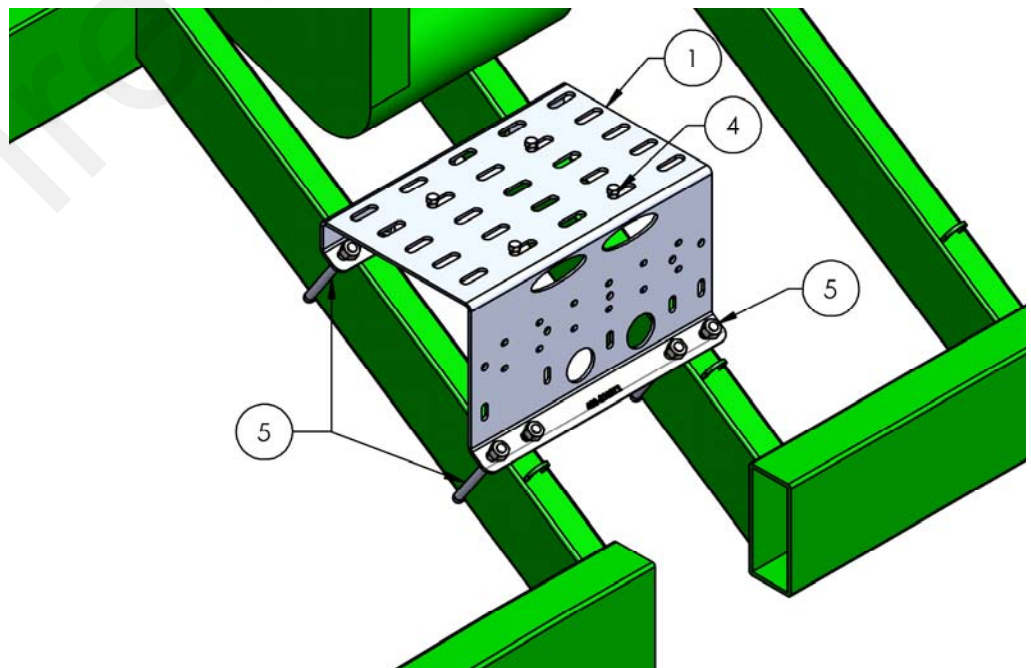


Parts List and Exploded View

ITEM NO.	PART NUMBER	DESCRIPTION	QTY.
1	400-2262Y1	John Deere 1790 Pump Mounting Bracket	1
2	323-08	1/2" Flange Nut	4
3	300-080100-5	1/2" x 1" Hex Head Bolt	4
4	384-1080	Hardware Kit - Qty 4 of 3/8" carriage bolts/flange nuts	1
5	380-1026	1/2" U-Bolt Kit - Fits 2"x5" tube	4



Use four (4) 3/8" x 1" carriage bolts and flange nuts to mount Tower or Odyssey pump to 400-2262Y2 bracket.



Use four (4) 1/2" x 1" hex head bolts and flange nuts to mount PumpRight pump unit to 400-2262Y2 bracket.



Step by Step Instructions

For Installation on a 15" planter:

1. Loosely u-bolt 400-2262Y2 to the 2 tubes using four (4) 1/2" u-bolts and flange nuts provided.
2. Mount system to mounting bracket.
 - a. For a Tower or Odyssey system, use four (4) 3/8" x 1" carriage bolts and flange nuts in whichever orientation works best.
 - b. For a PumpRight system, use four (4) 1/2" x 1" Hex head bolts and flange nuts in whichever orientation works best.
3. Inspect system installation for clearance and tighten bolts.

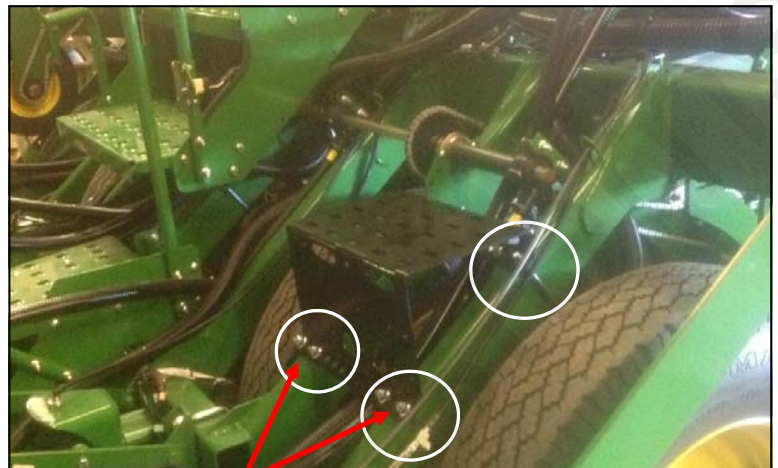
NOTE: The PumpRight Hydraulic Pump unit can be bolted to the 400-2262Y2 bracket in whatever orientation works best for the system installation.

For Installation on a 20" planter:

Do NOT use this method with a pump larger than the PumpRight D115.

1. Center the 400-2262Y2 bracket on one (1) tube and loosely secure using two (2) 1/2" u-bolts and flange nuts provided.
2. Mount system to mounting bracket.
 - a. For a Tower or Odyssey system, use four (4) 3/8" x 1" carriage bolts and flange nuts in whichever orientation works best.
 - b. For a PumpRight system, use four (4) 1/2" x 1" Hex head bolts and flange nuts in whichever orientation works best.
3. Inspect system installation for clearance and tighten bolts.

NOTE: The PumpRight Hydraulic Pump unit can be bolted to the 400-2262Y2 bracket in whatever orientation works best for the system installation.



Step 1



Step 1



Optional Items that may be suggested for this equipment .

In addition to Tower, Odyssey and PumpRight systems, Electric Section Valves may be bolted to the front of the 400-2262Y2 bracket.

