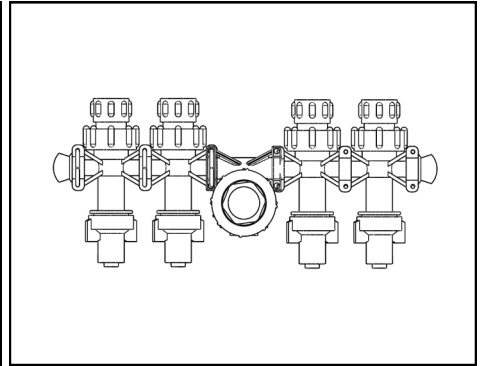
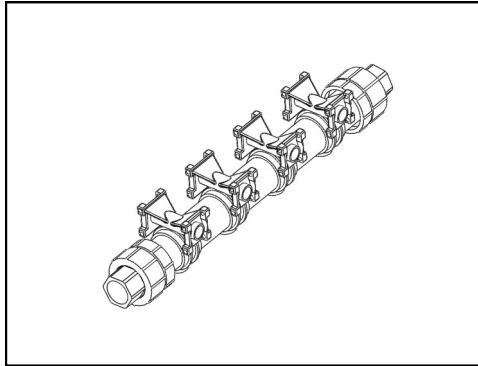
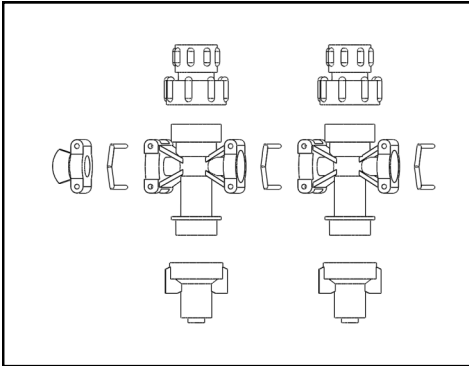




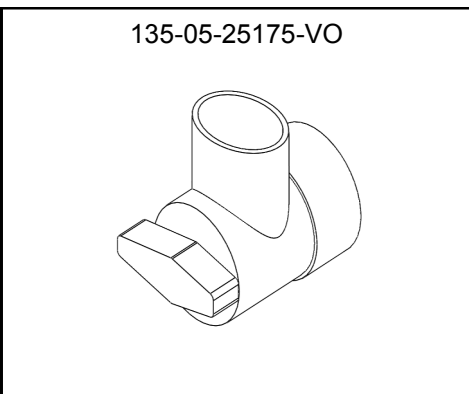
396-001750

Stainless Steel Manifold Assembly and Mounting Instructions

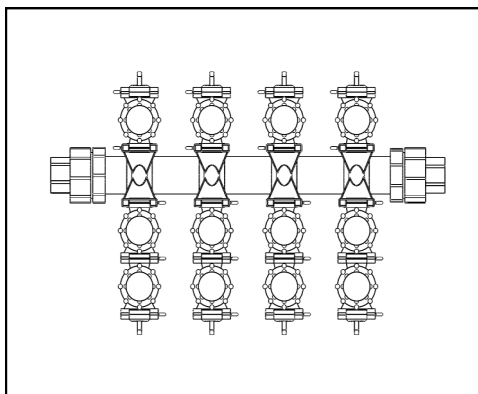


How to Assemble

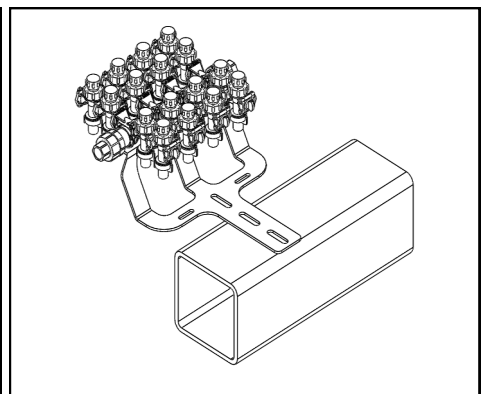
The Stainless Steel Manifold Assembly can easily be adjusted to accommodate flow from 4 to 16 rows. Simply add or remove check valves using the U-Clips in the assembly. If more than one manifold is needed per drill or planter section, manifolds may be connected to each other through use of 3/4" MPT x 3/4" HB fittings and 3/4" hose.



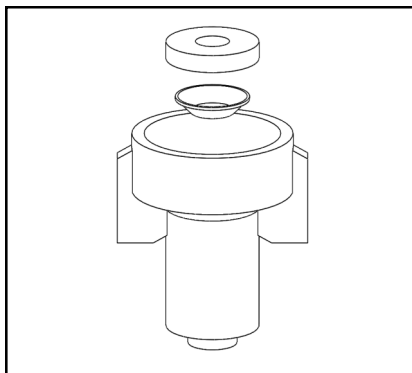
Flush Valves may be installed at the end of each section to allow easy rinsing after use. (Replaces 3/4" threaded fitting)



Ports can be assembled as needed to obtain the correct number of rows. Shown is an example 12 port setup.

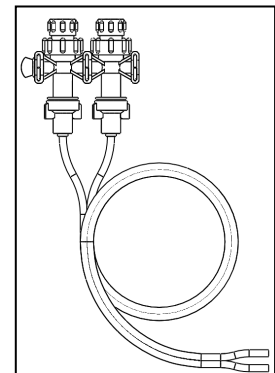


Use the mounting bracket (400-2423Y1) to mount the manifold where convenient and accessible.



For disc orifice application, assemble gasket, orifice, and cap in the configuration shown at right.

For metering tube application, assemble as shown at right.





Available Replacement Part Numbers for Stainless Steel Manifolds

135-00-70276-04

Also available with 6 outlets

| ITEM NO. | PART NUMBER | DESCRIPTION | QTY. |
|----------|-----------------|---|------|
| 1 | 135-05-70274-04 | 1.315" Stainless Pipe with four 9/16" holes at closest recommended spacing | 1 |
| 2 | 135-05-41478-00 | dual saddles for 9/16" holes with 5/16" bolt style clamp | 4 |
| 3 | 135-05-25171-00 | Quick-Nut Male Boom End Adapter for 1.315" SS Tube (Split Collar w/ external threads) | 2 |
| 4 | 135-05-25160-03 | Quick-Nut Nut for 1.315" SS Tube (threads onto 25171-00) | 2 |
| 5 | 135-05-25164-01 | Quick-Nut 1.315" SS Tube x 3/4" NPT FE Adapter | 2 |

136-04-200400

Note: Item 9 is not used with SS Manifold assembly

| ITEM NO. | PART NUMBER | DESCRIPTION | QTY. |
|----------|--------------|--|------|
| 6 | 135-41110-00 | 10 PSI check valve assembly | 2 |
| 7 | 132-40435-05 | RadialLock Cap with 1/4" QC | 2 |
| 8 | 701-41285-00 | Combo-Clip male x plug | 1 |
| 9 | 701-41256-00 | Combo-Clip FE x 3/8" NPTF x 3/4" Sq Mount Adapter Assembly | 1 |

133-03-41110-00

| ITEM NO. | PART NUMBER | DESCRIPTION | Default/ QTY. |
|----------|--------------|--|---------------|
| 1 | 41100-01 | Thru Body to use with 41110-01 | 1 |
| 2 | 41110-01 | Combo-Rate Shut Off Module Assembly | 1 |
| 3 | 701-20460-04 | Wilger Lock U-clip | 1 |
| 4 | 40200-02 | O-Ring, Buna for 41110-00 dual check valve | 1 |
| 5 | 40155-07 | diaphragm for dual check valve | 1 |