

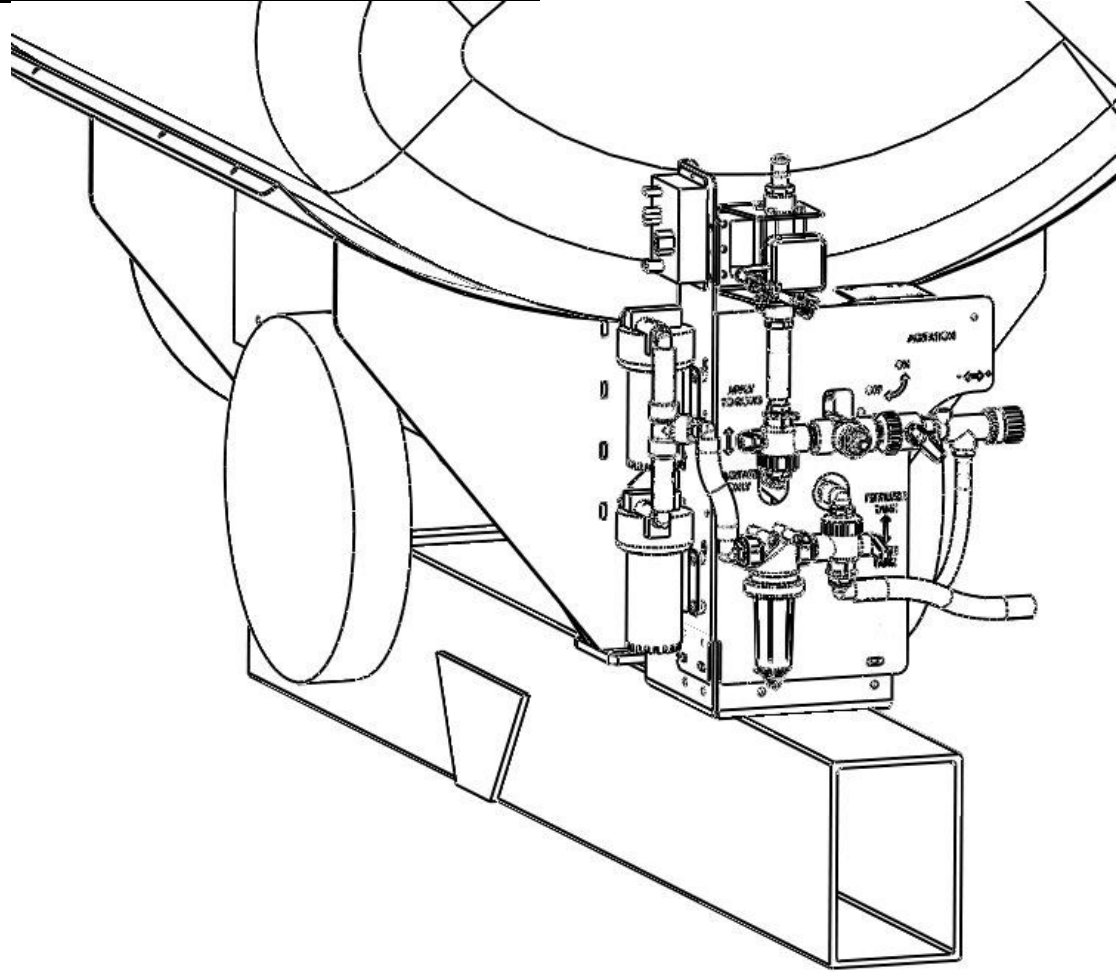
# 396-001420



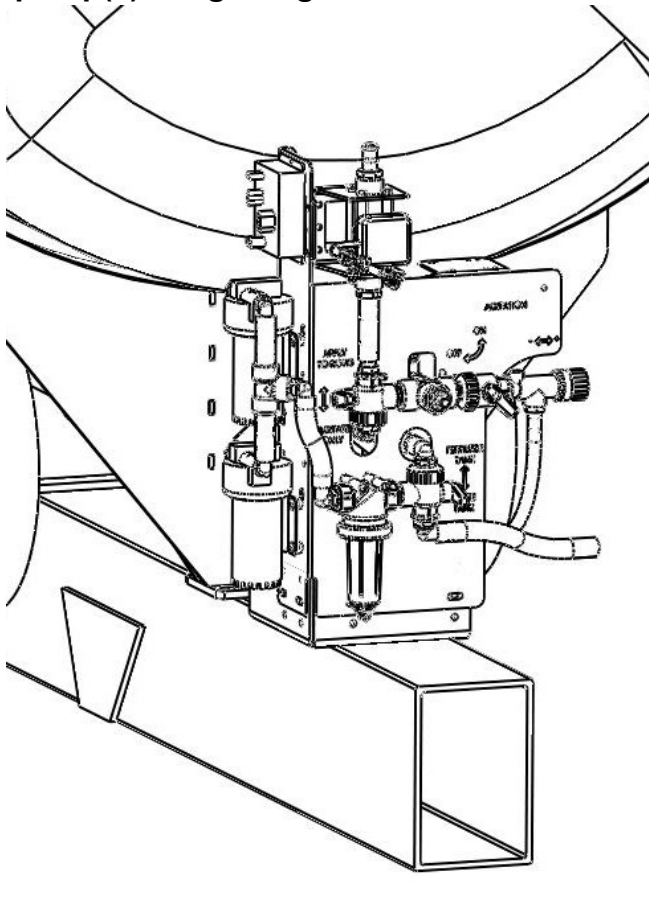
## *Tower 200 Mounting Bracket to 8 inch wide front fold planter hitch instructions*

Kits Include	
Item	Quantity
Bracket (410-2057A2)	1
U-Bolt - 1/2" x 8 x 12 standard, substitute longer u-bolt for 60 foot planter	2

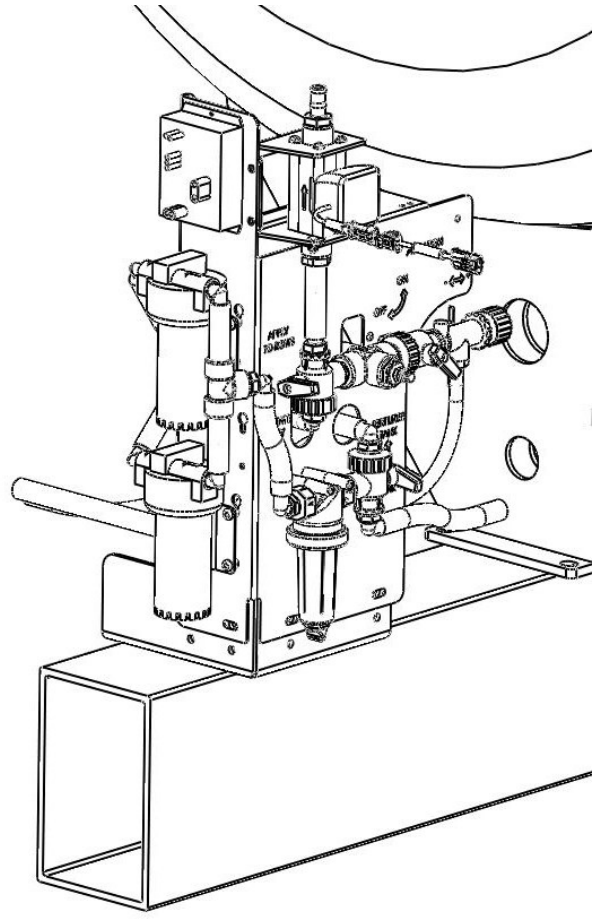
**Kit Item Number: 511-1008**



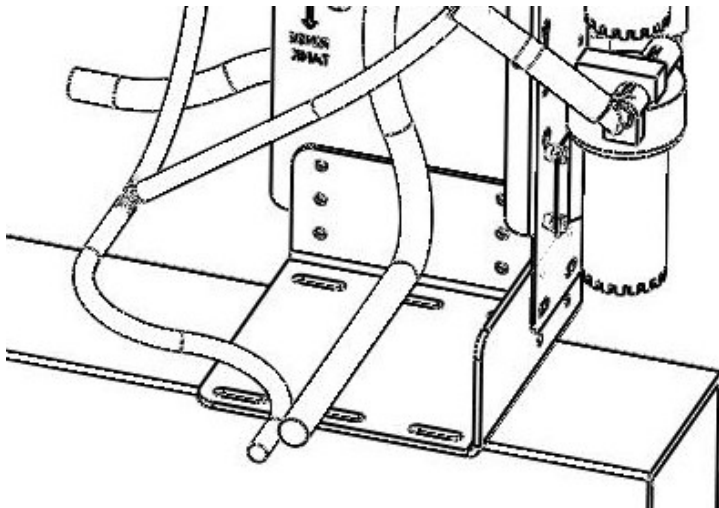
**Tower 200 mounted facing forward,  
pump(s) hang to right side of hitch**



**Tower 200 mounted facing left**



**Rear view of bracket bolted to hitch**



The bracket can be bolted on to the hitch facing forward or to the side. The Tower 200 face attaches to the side with wider spaced holes. Use two U-bolts to attach the bracket to the hitch (typically 8x12 or 8x16 inches).

The Tower 200 can be bolted on at three different heights to provide mounting flexibility.