



396-001610

SureFire Tank Saddles 38" Diameter 200 & 300 Gallon Round Tanks

- 200 gallon and 300 gallon 38 inch round tanks are supported by 38" tank saddles. Two saddles are required for each tank. The 300 gallon also needs a metal support sheet to support the tank beyond the saddles. The 200 gallon does NOT use the support sheet. Optionally, the saddles may be mounted on top of a pedestal bracket to raise the tank an additional 6", 16" or 22-5/8".

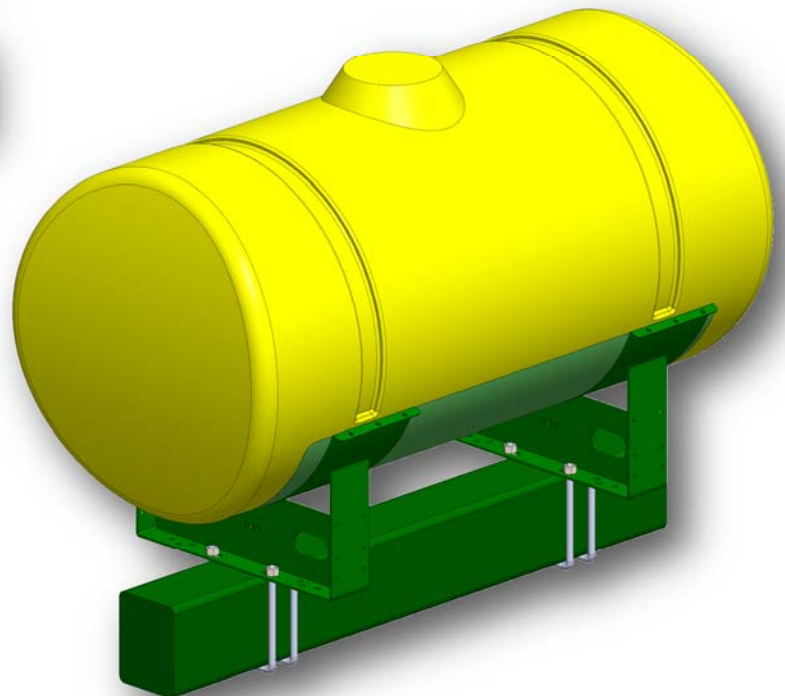
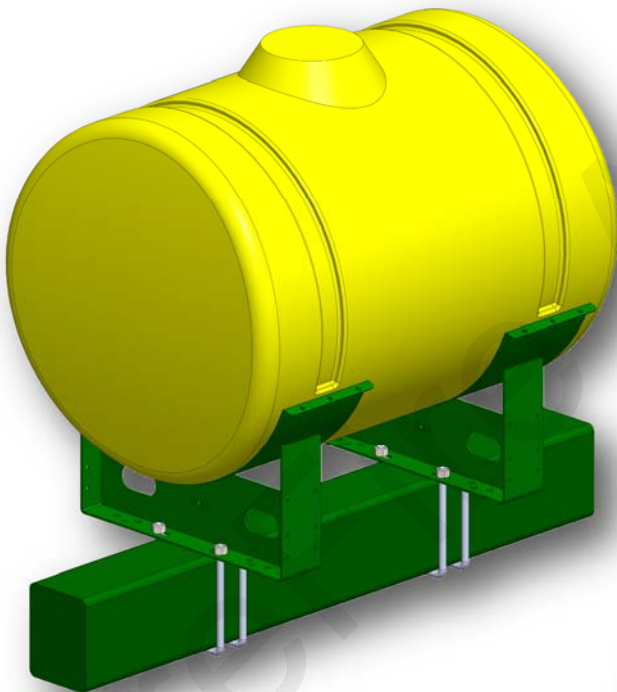
Kit Numbers:

530-00-200150—White 200 Gallon Tank Kit

530-00-200250—Yellow 200 Gallon Tank Kit

530-00-300100—White 300 Gallon Tank Kit

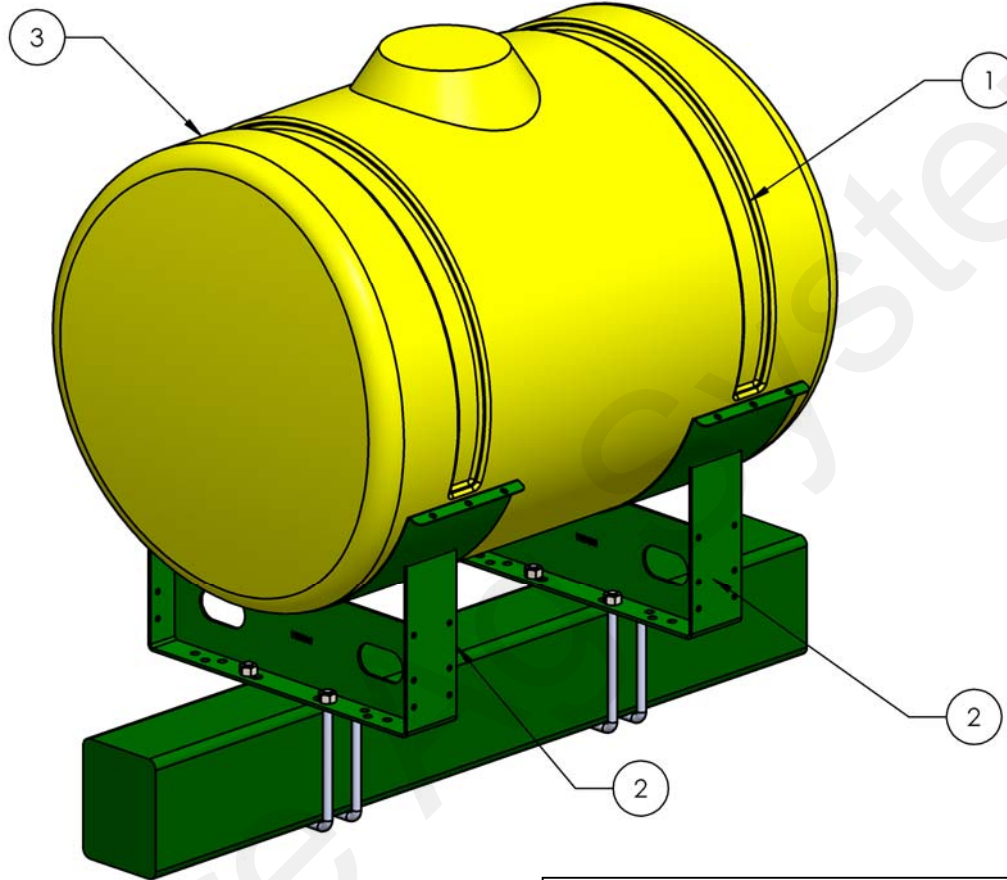
530-00-300200—Yellow 300 Gallon Tank Kit



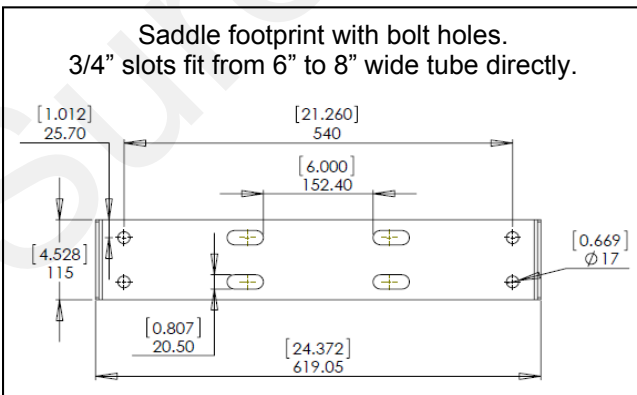
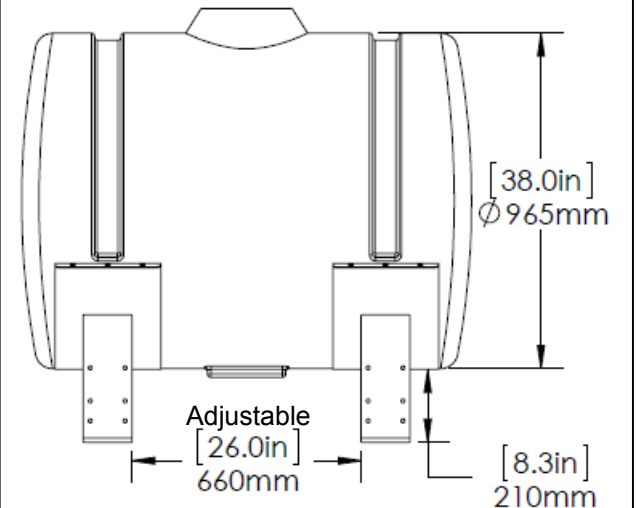


Parts List and Exploded View

ITEM NO.	PART NUMBER	DESCRIPTION	QTY.
1	525-2055	2" Strap Kit	2
2	420-1104A1 - BK/GN	Black/Green 38" Tank Saddle	2
3	727-02-xxxxxx	Horizontal Tank - 200 Gal - White/Yellow - 38"Ø	1



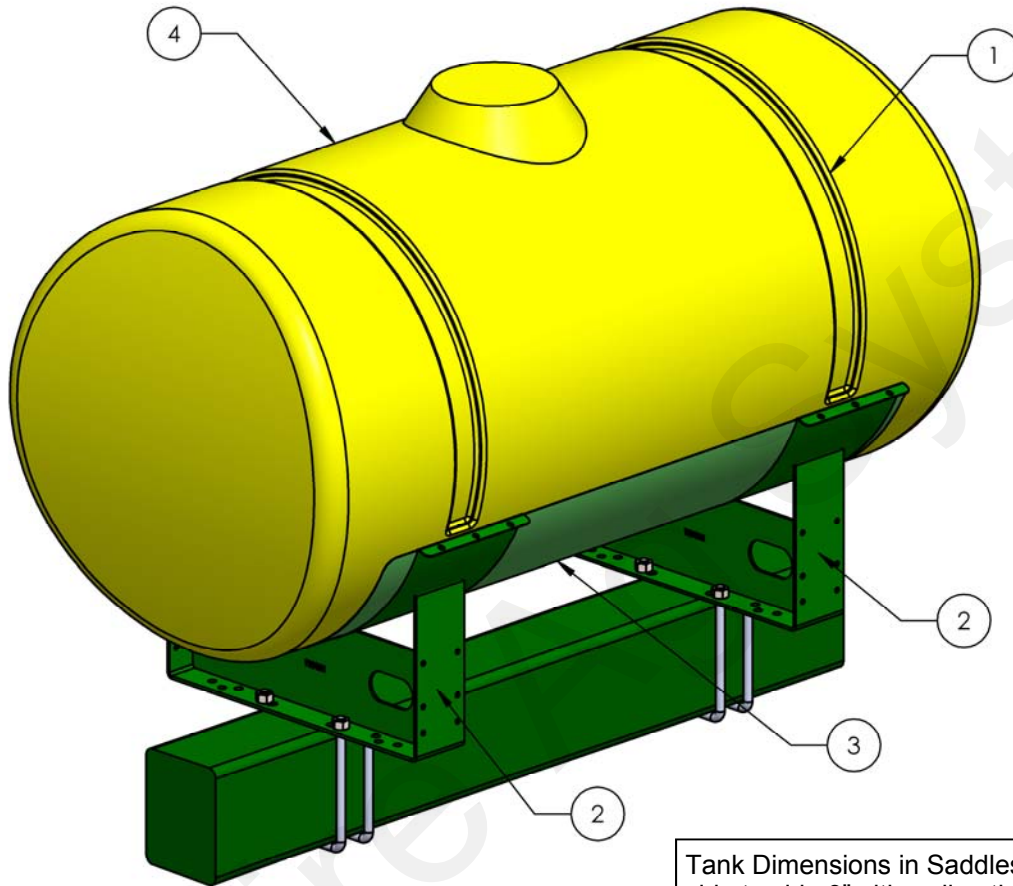
Tank Dimensions in Saddles—saddles may move side to side 3" either direction (200 gallon shown)
 Tank Width: 300 Gallon - 76 inches
 200 Gallon - 51 inches



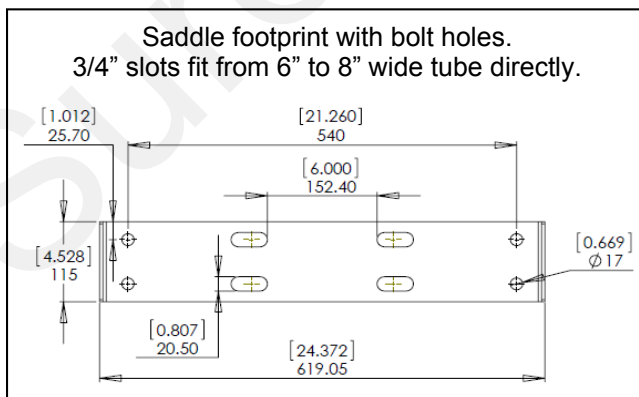
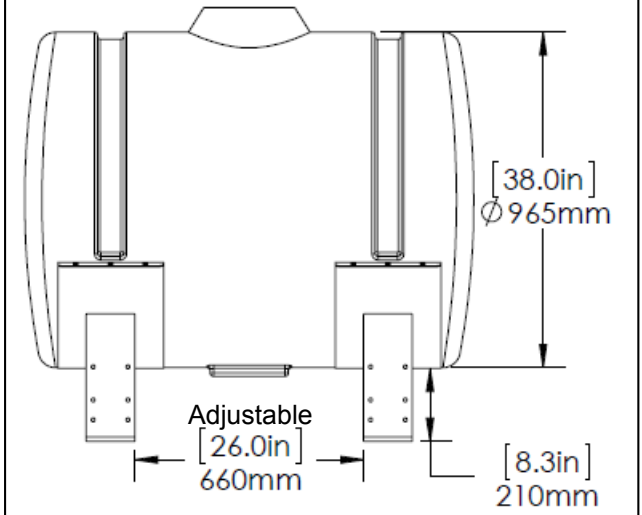


Parts List and Exploded View

ITEM NO.	PART NUMBER	DESCRIPTION	QTY.
1	525-2055	2" Strap Kit	2
2	420-1104A1 - BK/GN	Black/Green 38" Tank Saddle	2
3	420-1106A1 - BK/GN	300 Gallon Tank Support Sheet	1
4	727-02-xxxxxx	Horizontal Tank - 300 Gal - White/Yellow - 38"Ø	1



Tank Dimensions in Saddles—saddles may move side to side 3" either direction (200 gallon shown)
 Tank Width: 300 Gallon - 76 inches
 200 Gallon - 51 inches





Step by Step Instructions

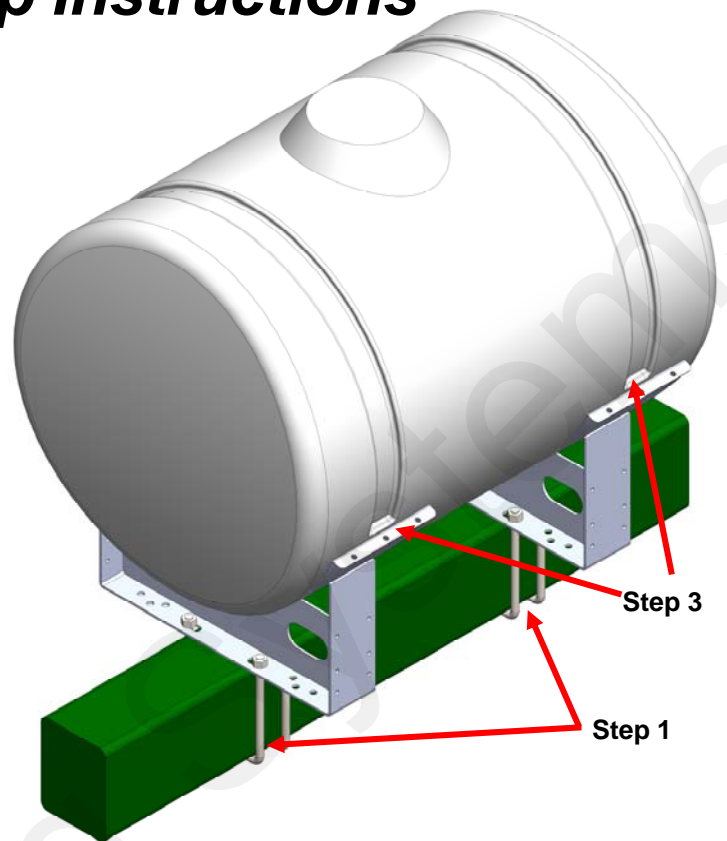
Tank Mounting Instructions:

Step 1: Loosely u-bolt each saddle to planter/implement frame.

Step 2: Inspect tank and brackets for proper clearance and tighten all bolts.

Step 3: Set tank in saddles and strap tank in place.

NOTE: Please remember to tighten straps again once the tank has been filled.



Pedestal Mounting Instructions:

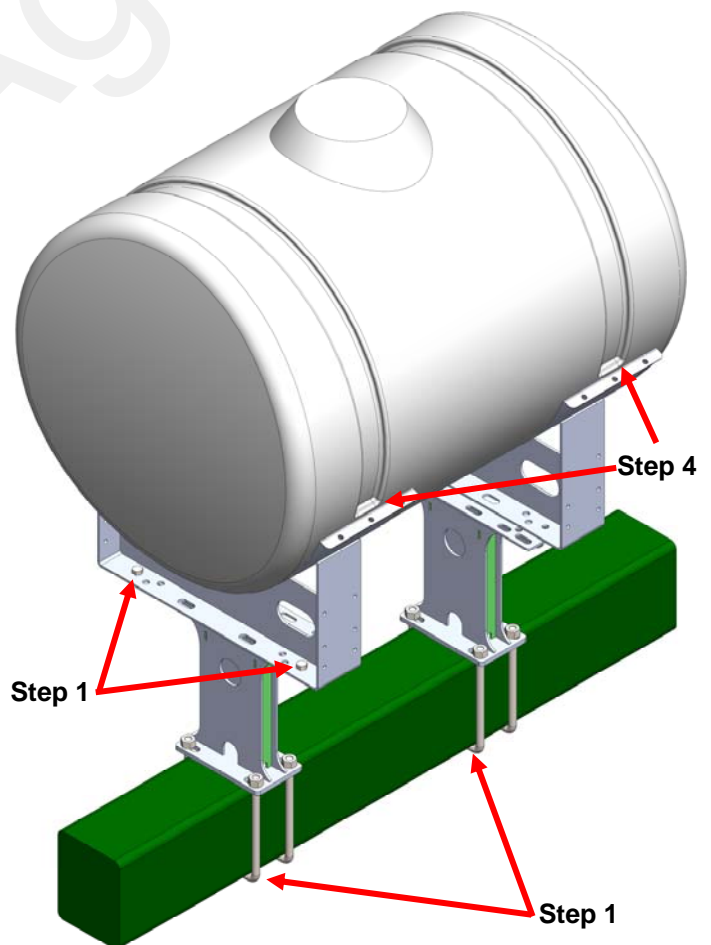
Step 1: Loosely u-bolt pedestal bracket to planter/implement frame.

Step 2: Attach each saddle to pedestal with quantity four 5/8" x 1" bolts, washer and flange nut (8 sets per tank).

Step 3: Inspect tank and brackets for proper clearance and tighten all bolts.

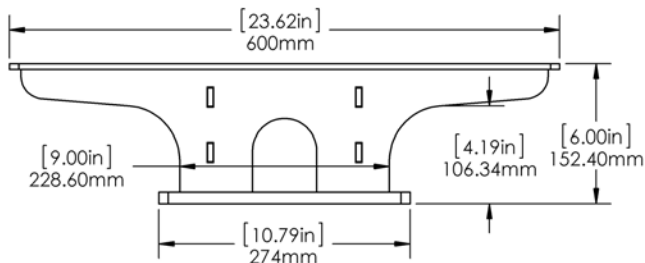
Step 4: Set tank in saddles and strap tank in place.

NOTE: Please remember to tighten straps again once the tank has been filled.





Optional Items that may be suggested for this equipment .



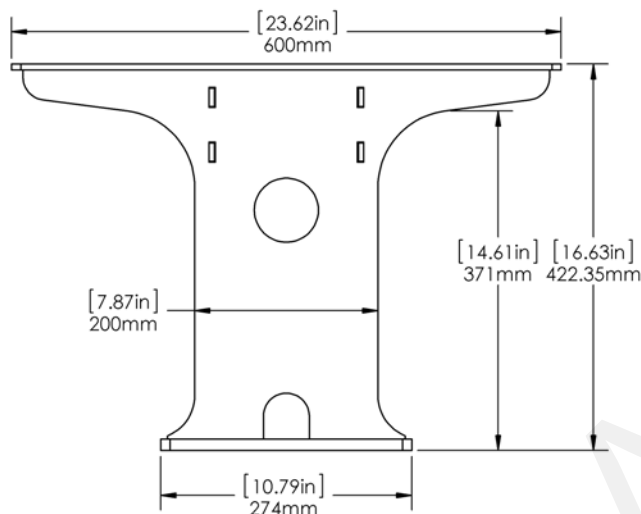
Kit Description:

6" Pedestal Kit for Saddles

Kit Numbers:

526-02-200275 (Black)

526-02-200280 (Green)



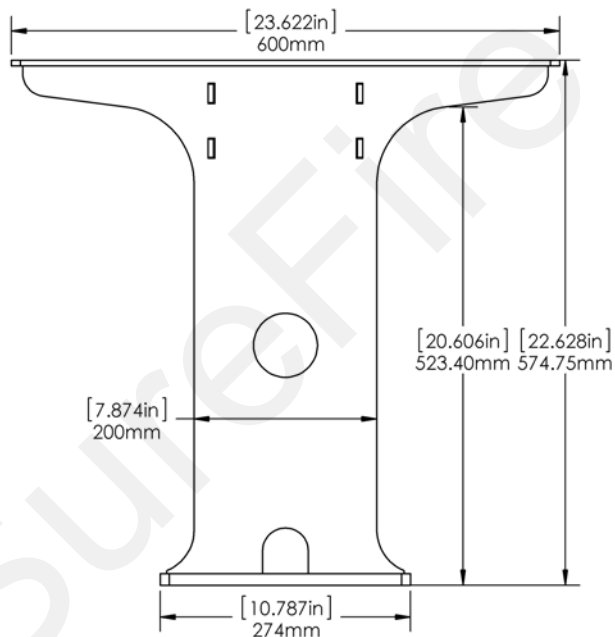
Kit Description:

16" Pedestal Kit for Saddles

Kit Numbers:

526-02-200300 (Black)

526-02-200305 (Green)



Kit Description:

22-5/8" Pedestal Kit for Saddles

Kit Numbers:

526-02-200350 (Black)

526-02-200355 (Green)